



TUFFBOOM

Log & Debris Booms / Dam Safety Boat Barriers



TUFFBOOM barriers are the choice of dam operators worldwide when it comes to controlling surface debris and satisfying regulatory guidelines for dam safety. These 10' (3m) modular units link together to form unlimited length boom lines. Accessories include high visibility mold-in graphics, hanging debris skirts, plates to close the gap between booms, boat gates, solar lights and more.

TUFFBOOM is made from thick-walled, UV resistant resin. Each boom includes a high load bearing internal steel channel through which all boom-to-boom connections are bolted. Each boom is fully filled with closed-cell foam making these booms truly unsinkable.

Whether your goal is to stop a 50' (15m) long tree or keep boaters a safe distance from your dam, the solution is simple. The solution is **TUFFBOOM**



TUFFBOOM

Log & Debris Booms / Dam Safety Boat Barriers

Features (At-A-Glance)

- Heavy-wall impact resistant polyethylene with max. UV resistance.
- Unsinkable solid internal core of non-water absorbing foam fill. Maintains buoyancy even when punctured.
- High load bearing internal steel channel provides strength and ballast, resists horizontal and vertical loads.
- Load-rated galvanized safety shackle connections permit full movement with minimal wear.
- Fully-interchangeable connection hardware.
- Connections are designed for continuous motion and heavy loads
- Mold-in Graphics™ with standard or customized warnings.
- Exceptional debris load capacity.
- Available in International Orange, Safety Yellow, Log Boom Brown, Forest Green, Black, White, Red, Navy Gray, Sand Tan.
- High Visibility, high buoyancy for maximum freeboard visibility
- Weight: Approximately 141 lbs (64 kgs) per unit
- Center to Center Length: 136 in (3.45m)
- Float Unit Length: 120 in (3.05)
- Buoyancy: approximately 700 lbs (317 kgs) per unit.
- Anchor components designed to site specific conditions
- Assembles easily with little or no equipment required.
- Thousands of units installed worldwide with excellent results



Call | 800.899.2977

Click | www.tuffboom.com

Worthington Products Inc.
3405 Kuemerle Ave NE
Canton, OH 44705
U.S.A.

USA & Canada: 800.899.2977
Int'l: 001.330.452.7400
Fax: 330.452.7400
sales@tuffboom.com



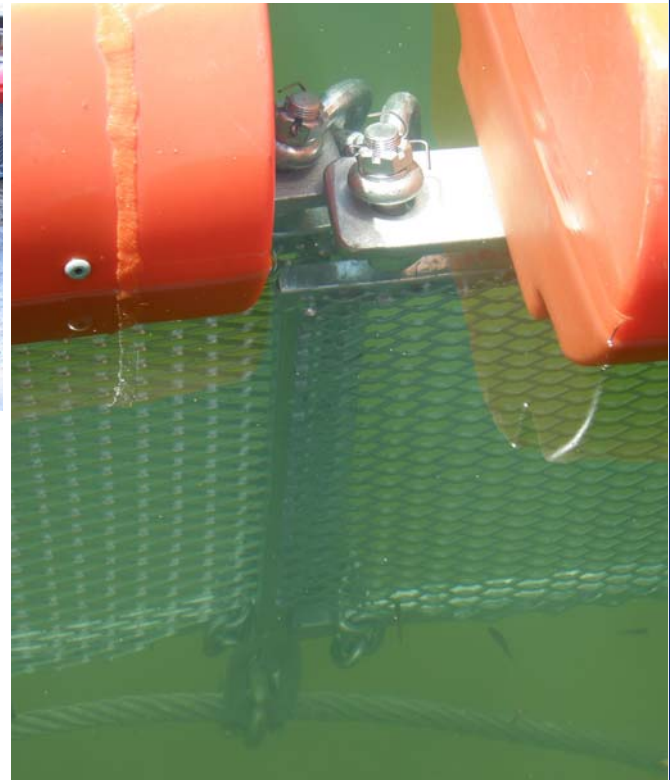
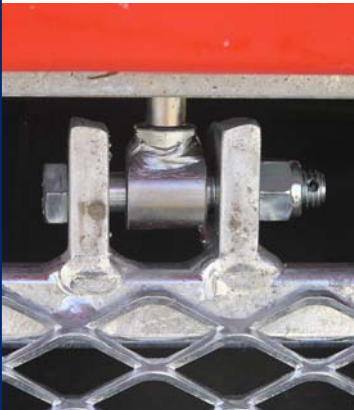
DEBRIS SCREENS

Underwater Hanging Debris Curtains



TUFFBOOM barriers excel at collecting or diverting surface trash, debris, vegetation and ice. For those locations where the debris is just below the surface or where water currents tend to push debris under the boom line, we offer a simple, effective debris screen that can be attached to new and existing boom lines.

TUFFBOOM Debris Screens feature a surface facing material mechanically attached to a fabricated galvanized tubular steel frame with vertical reinforcing bars. Standard screen depths are 12", 24", 36" and 48" (31 cm, 61 cm, 92 cm, 122 cm). Facing material options are diamond mesh steel screen (*as shown above*), solid industrial rubber or steel-panel surface screens. Each screen measures 130" (330 cm) long and attaches to the underbelly of the boom via specially designed swivel connector pins. Chain connections on the bottom of each screen reduce the risk of the screens pivoting backwards during higher flows and aid in debris retention.

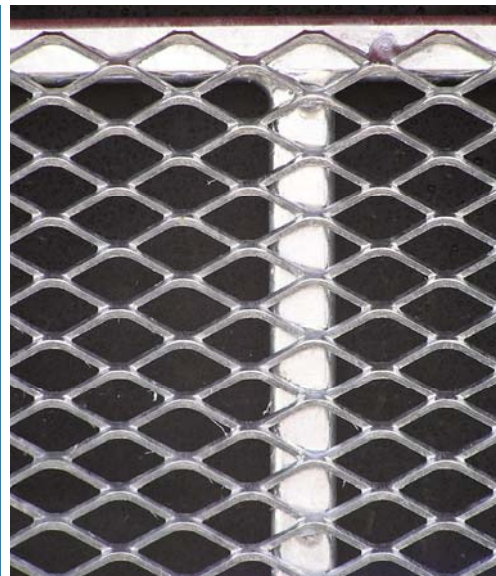
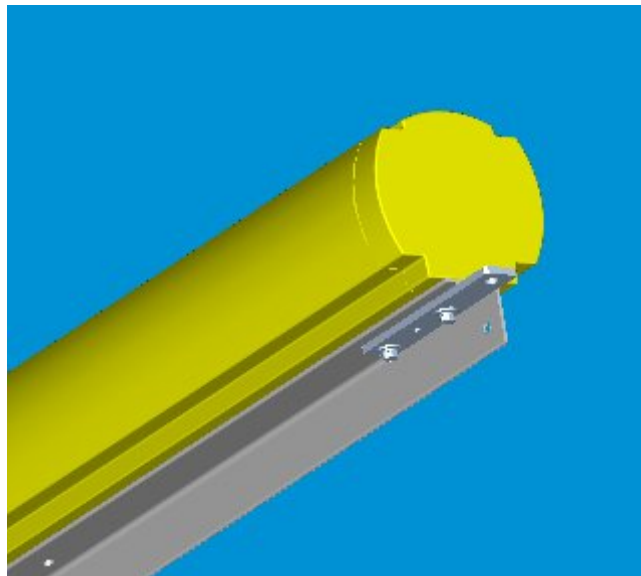


DEBRIS SCREENS

Underwater Hanging Debris Curtains

Features (At-A-Glance)

- Tubular Steel Framed Construction
- Galvanized Steel or Stainless Steel
- Choices of screen facing materials
 - Metal diamond mesh pattern welded to steel frame
 - Heavy industrial rubber bolted to steel frame
 - Solid sheet steel welded to steel frame
 - Custom material per client requirements
- Easily attaches to underside of booms via specially designed swivel connectors.
- Screens can be attached to existing boom installations or supplied with new booms.
- 130-in (330 cm) long x " , 24" , 36" and 48" (31 cm, 61 cm, 92 cm, 122 cm) deep.
- Individual chain connections between units.
- Optional cable connection for added load bearing capability.
- Special steel angle ice boom designs also available.



Call | **800.899.2977**

Click | **www.tuffboom.com**

Worthington Products Inc.
3405 Kuemerle Ave NE
Canton, OH 44705
U.S.A.

USA & Canada: 800.899.2977
Int'l: 001.330.452.7400
Fax: 330.452.7400
sales@tuffboom.com